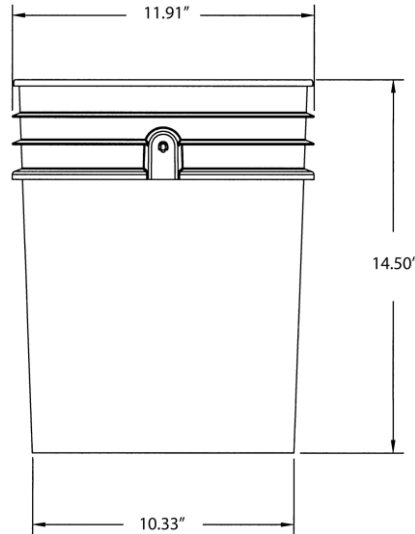


5 Gallon Round Container



Features

- Taller height reduces spillage during filling and capping
- Polished surface provides attractive appearance
- Reinforcing ribs maintain container shape
- Tapered design allows for container nesting
- Hot fill capability up to 190°F with appropriate materials and freezer compatible
- Heat transfer decoration and 6 color offset print capability
- In-Mold label (IML) decoration available
- Accepts plastic or metal handle

PRODUCT CODE.....5DM TA5G90DM (W) (B) (BU)

COMPATIBLE LIDS.....5LTB LA5GGTS (GTSU)
 5LHV LA5GSOFT
 5LHV LA5GHARD
 5NLR LA5GGCT (GCTU)
 5LTEO LA5GEOGTS (GTSU)

SPECIFICATIONS

Height.....14.50"
 Outer Diameter.....11.91"
 Thickness.....90 mil
 Print Area.....31" x 8.25"
 Resin.....HDPE

VOLUME

Practical Fill.....5.10 gal. / 19.30 liters
 Overflow.....5.40 gal. / 20.44 liters

PACKAGING

Pack Count.....120
 Pack Dimensions.....48.9" x 36.6" x 49.6"
 Cubic Feet.....51.3
 Packs per Pallet.....2

ORDER QUANTITIES (53' Truckload)

5DM with compatible lids.....6,720 bases & lids

The above information is general sales material only. LETICA MAKES NO WARRANTIES HEREIN, EXPRESS OR IMPLIED, INCLUDING THE WARRANTY OF MERCHANTABILITY OR FITNESS FOR A PARTICULAR USE OR PURPOSE. As Letica continues to improve its products and processes, Letica reserve the right to alter or modify any product and/or specification at any time without notice or obligation. Please contact your Letica sales representative to ensure you have the most recent product information.

Rev . 1/02/2020

52585 Dequindre Road
 Rochester, MI 48307-2321

Phone 248-652-0557
 Toll Free 800-Letica-1
 Fax 248-608-2092
 letica.com



Coast to Coast
 Manufacturing Capabilities