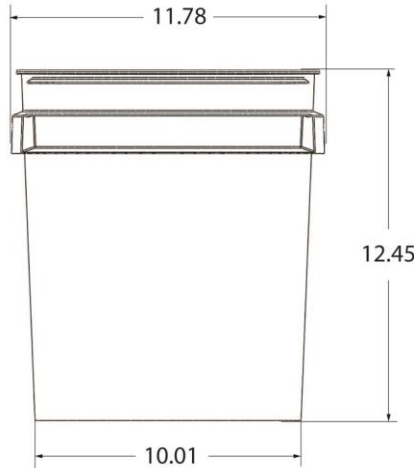


4 Gallon Round Container



Features

- Reinforcing ribs maintain container shape
- Tapered design allows for container nesting
- Heat transfer decoration and 6 color offset print capability
- Built in finger grips make a metal or plastic handle optional
- Accepts plastic or metal handle

PRODUCT CODE.....4DM TG4G62DM (W) (B) (BU)

COMPATIBLE LID.....4LD LG4GDM

SPECIFICATIONS

Height.....12.45"
 Outer Diameter.....11.78"
 Thickness......62 mil
 Print Area.....31.25" x 7.50"
 Resin.....HDPE

VOLUME

Practical Fill.....4.36 gal. / 16.5 liters
 Overflow.....4.55 gal. / 17.2 liters

PACKAGING

Pack Count.....156
 Pack Dimensions.....46.6" x 34.3" x 48.3"
 Cubic Feet.....44.7
 Packs per Pallet.....2

ORDER QUANTITIES (53' Truckload)

4DM & 4LD.....9,360 bases & lids

52585 Dequindre Road
 Rochester, MI 48308

Phone 248-652-0557
 Toll Free 800-Letica-1
 Fax 248-608-2092
 letica.com



Coast to Coast
 Manufacturing Capabilities

The above information is general sales material only. LETICA MAKES NO WARRANTIES HEREIN, EXPRESS OR IMPLIED, INCLUDING THE WARRANTY OF MERCHANTABILITY OR FITNESS FOR A PARTICULAR USE OR PURPOSE. As Letica continues to improve its products and processes, Letica reserve the right to alter or modify any product and/or specification at any time without notice or obligation. Please contact your Letica sales representative to ensure you have the most recent product information.

Rev. 1/02/2020