

2 Gallon SmartPak® Round Container

Features

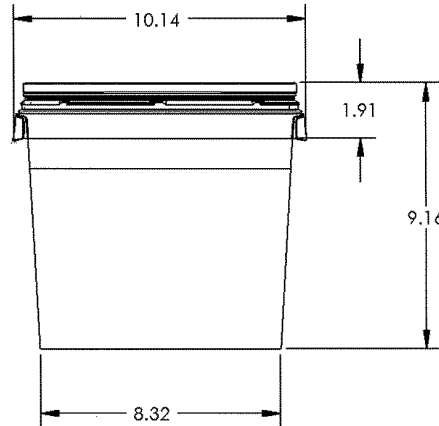
- Innovative, airtight packaging utilizing patented gasket-less lid technology
- Source reduced for less environmental impact
- Top beam design provides strength and clean aesthetics
- Integrated handles offer an easy handling alternative
- Freezer compatible
- Heat transfer decoration and 6 color offset print capability
- Accepts plastic or metal handle

52585 Dequindre Road
Rochester, MI 48307-2321

Phone 248-652-0557
Toll Free 800-Letica-1
Fax 248-608-2092
letica.com



Coast to Coast
Manufacturing Capabilities



PRODUCT CODE.....2PK TI2G55IHSPK (W) (B) (BU)

COMPATIBLE LID..... 2LPKT (LI2GTSSPK)

SPECIFICATIONS

Height.....9.16"
Outer Diameter.....10.14"
Thickness......55mil
Print Area.....25.5" x 5.25"
Resin.....HDPE

VOLUME

Practical Fill.....2.19 gal. / 8.29 liter
Overflow.....2.32 gal. / 8.78 liter

PACKAGING

Pack Count.....420
Pack Dimensions..... 52.8" x 42.3" x 47.5"
Cubic Feet..... 61.4
Packs per Pallet.....1

ORDER QUANTITIES (53' Truckload)

2PK & 2LPKT..... 16,800 bases & lids

The above information is general sales material only. LETICA MAKES NO WARRANTIES HEREIN, EXPRESS OR IMPLIED, INCLUDING THE WARRANTY OF MERCHANTABILITY OR FITNESS FOR A PARTICULAR USE OR PURPOSE. As Letica continues to improve its products and processes, Letica reserve the right to alter or modify any product and/or specification at any time without notice or obligation. Please contact your Letica sales representative to ensure you have the most recent product information.