

# 20 Liter Round UN Container

## Features

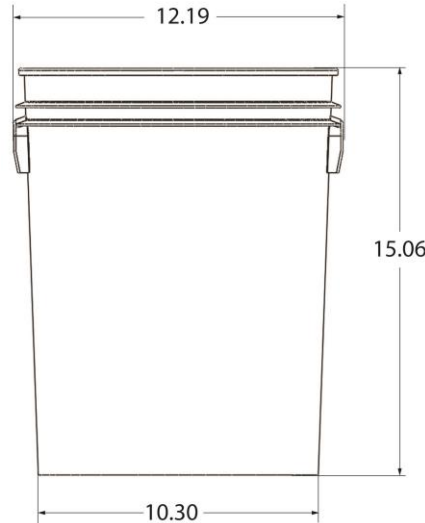
- Robust UN package only when used with 5LUND lid
- Universal container base for UN and non-UN applications
- Reinforcing ribs maintain container shape
- Heat transfer decoration and 6 color offset print capability
- Accepts plastic or metal handle

52585 Dequindre Road  
Rochester, MI 48308

Phone 248-652-0557  
Toll Free 800-Letica-1  
Fax 248-608-2092  
letica.com



Coast to Coast  
Manufacturing Capabilities



**PRODUCT CODE**..... 20NSU TU20L90UNS (W) (B) (BU)

**COMPATIBLE LIDS**.....5LUND LU5GUNG  
5LTB LA5GGTS

## SPECIFICATIONS

Height.....15.06"  
Outer Diameter.....12.19"  
Thickness.....90 mil  
Print Area.....31" x 9.25"  
Resin.....HDPE

## VOLUME

Practical Fill.....20 liters / 5.30 gal.

## PACKAGING

Pack Count.....120  
Pack Dimensions.....48.5" x 37" x 50.25"  
Cubic Feet.....52.2  
Packs per Pallet.....2

## ORDER QUANTITIES (53' Truckload)

20NSU & 5LUND (UN package).....6,240 bases & lids  
20NSU & 5LTB.....6,720 bases & lids

The above information is general sales material only. LETICA MAKES NO WARRANTIES HEREIN, EXPRESS OR IMPLIED, INCLUDING THE WARRANTY OF MERCHANTABILITY OR FITNESS FOR A PARTICULAR USE OR PURPOSE. As Letica continues to improve its products and processes, Letica reserve the right to alter or modify any product and/or specification at any time without notice or obligation. Please contact your Letica sales representative to ensure you have the most recent product information.